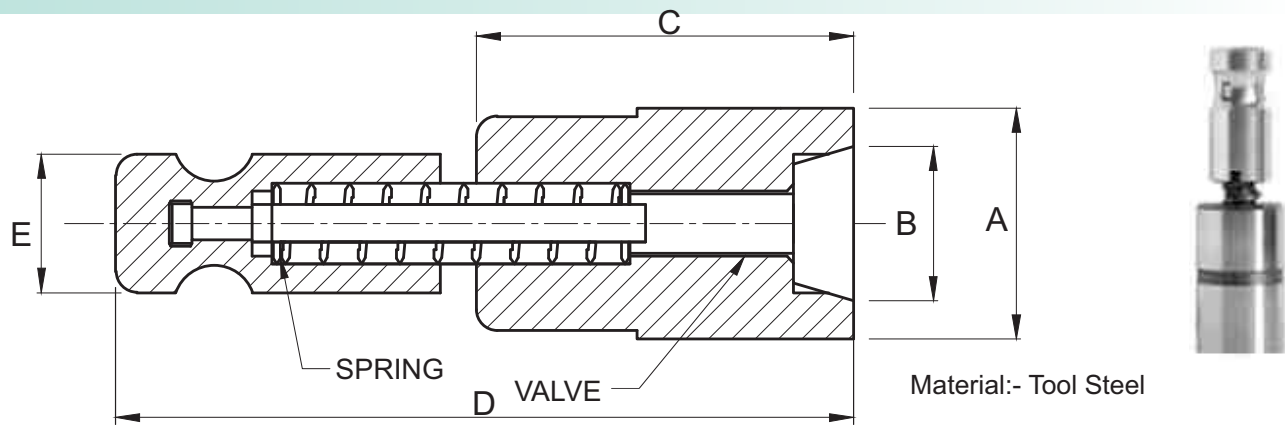


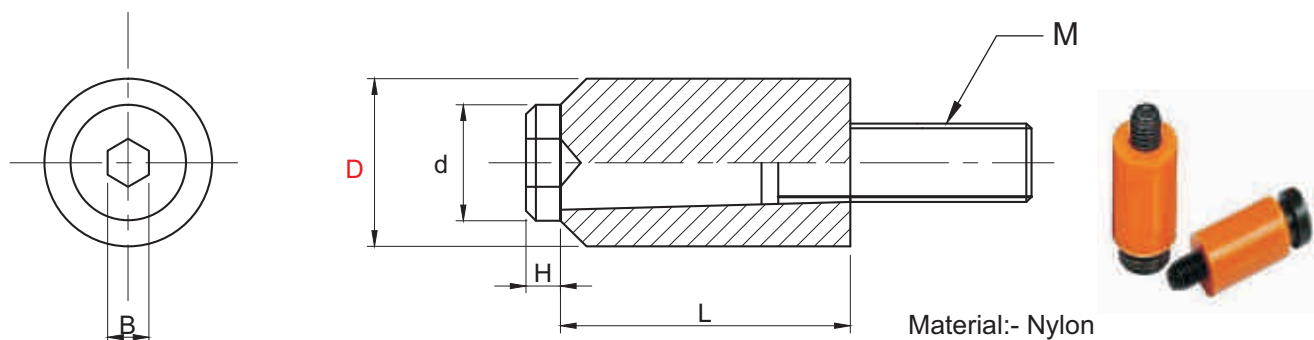
► Air Ejector (PPEA-A)



Code	Diameter A	Diameter B (approx)	C Body Length	D Overall Length	Diameter E
PPEA-A01	8	6.6	11	24	6
PPEA-A02	10	7.5	11	24	6
PPEA-A03	12	9.7	18	34	8
PPEA-A04	16	13	20	38	8
PPEA-A05	18	14.9	22	46	12
PPEA-A06	20	16	26	50	12
PPEA-A07	25	20	26	50	12

Order Type:- Code
Example:- PPEA-A03

► Parting Lock (PPL)



Code	ØD	Ød	H	L	M	B
PPL	10	8.5	3	18	M5	4
	12	11	3.5	20	M6	5
	13	11	3.5	20	M6	5
	16	14	4	25	M8	6
	20	16	5.5	30	M10	8
	25	16	5.5	30	M10	8

Order Type:- Code x D Example:- PPL X 13